



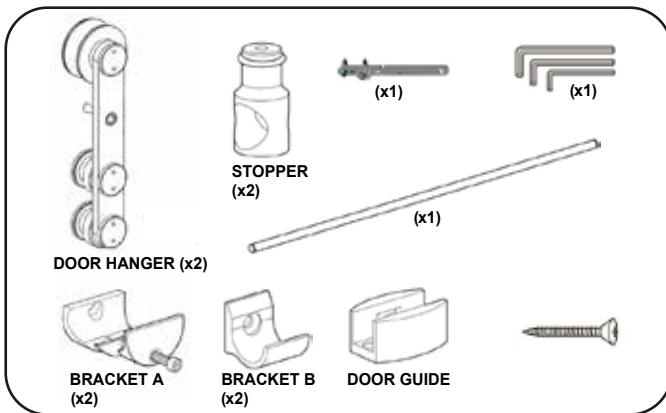
colonialegance

HOW TO INSTALL YOUR RAIL

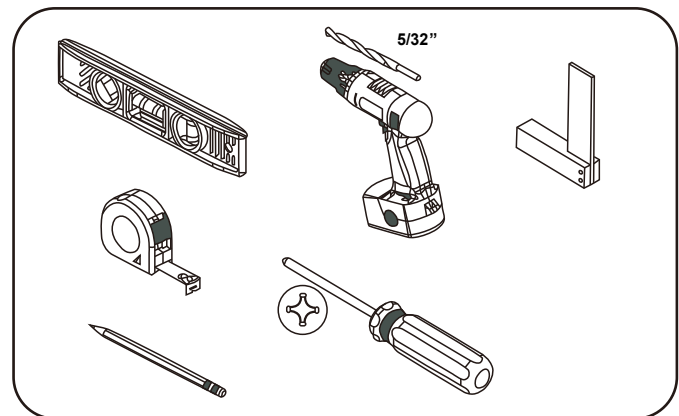
GLACIER - MURAL DOOR SYSTEM

IMPORTANT - PLEASE READ ALL INSTRUCTIONS BEFORE YOU BEGIN INSTALLATION.

- These instructions are for a single door installation.
- Identify secure points on the wall to attach the rail before starting your installation.
- It is necessary that all the lag screws used to install the rail are secured to the wall stud (2 x 3 structure).
- Use a wood plank secured to the wall stud if you are unable to fix all lag screws in wall stud.

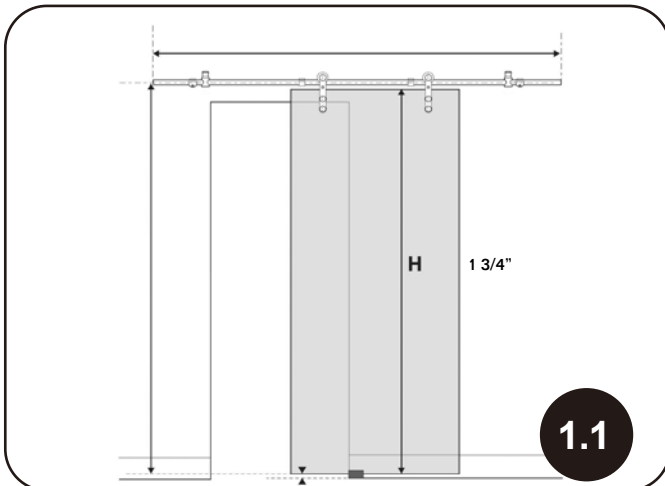


Parts included



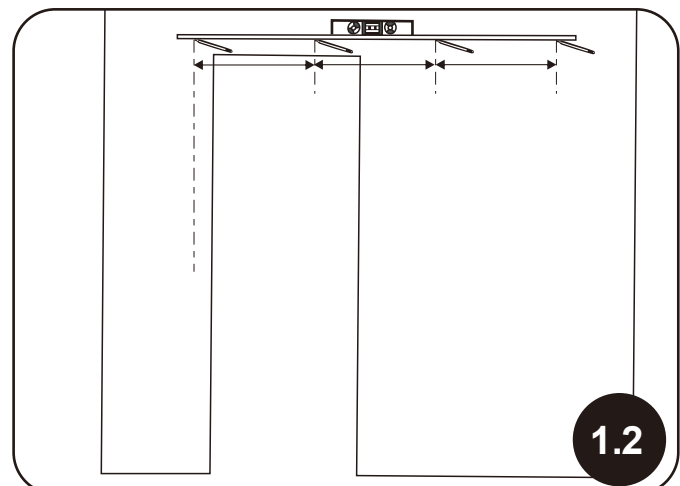
Recommended tools

1. Mounting the Rail



From the floor, add 1 3/4" to the height of the door being installed, to determine the center height of the rail.

Ex: Door 84" + 1 3/4" = 85 3/4" center of the rail from the floor.

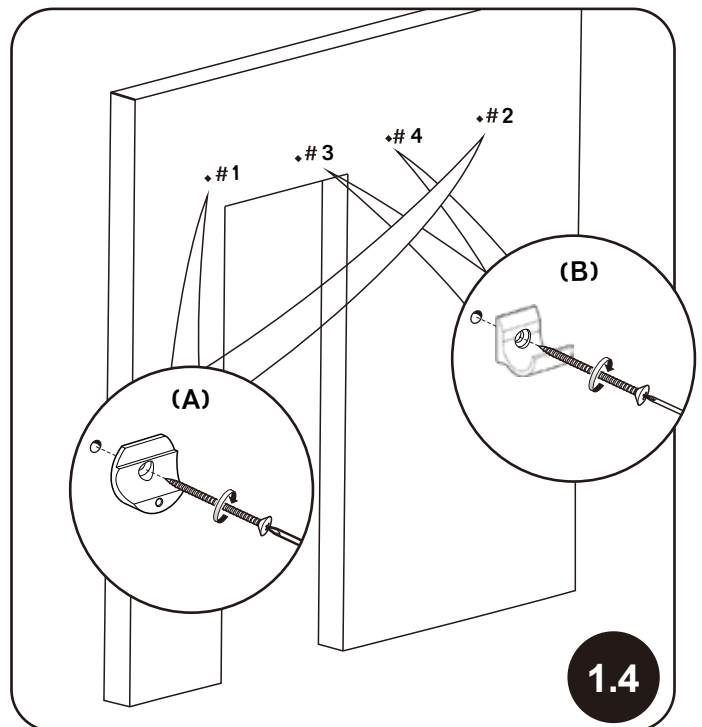


CAUTION if the rail is not installed level, the door may slide open or closed without warning.

Mark the location for each lag screw.



Drill 5/32" pilot holes at each mark.



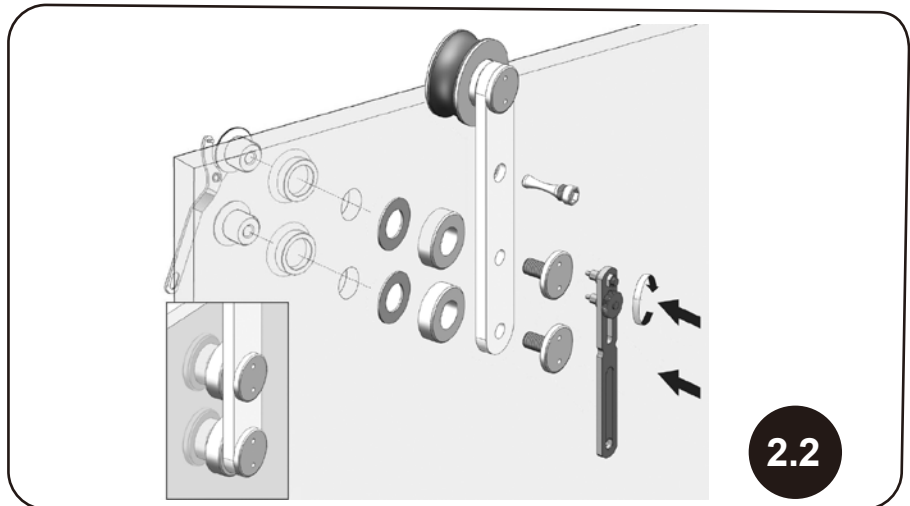
Fix the brackets A to positions #1 and #2. Lay the rail on the brackets to make sure it is level.

Remove the rail and fix brackets B to positions #3 and #4.

2. Installing Door Hangers

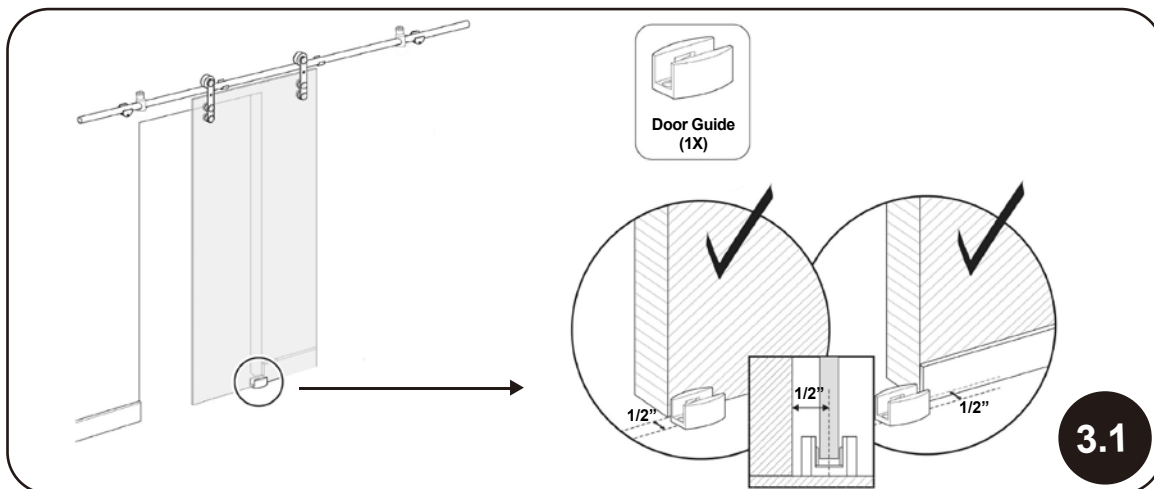


Remove the anti-jump bumpers so you can slide the door on the rail.



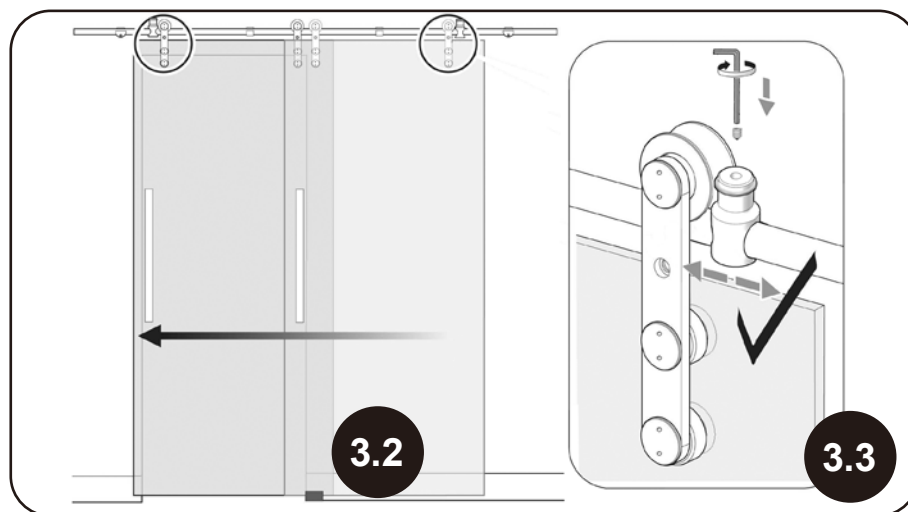
Fix the trolley by using all pieces in the diagram and fully tighten. Repeat on the other side.

3. Complete your Installation



Remove the anti-jump bumpers so you can hand the door on the rail.

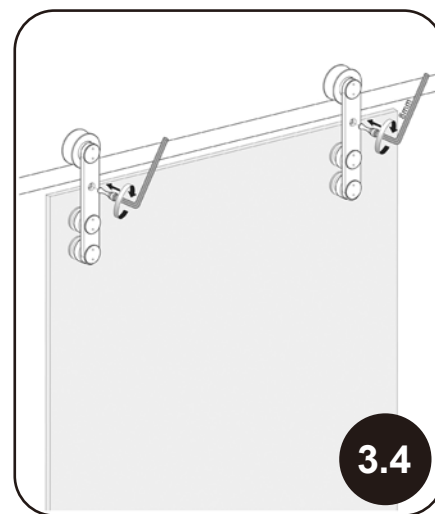
Hang the door on the rail, ensure the door is levelled then, fix the door guides on the floor on the opening side, as close to the doorway as possible.



NOTE Stoppers are used to avoid the door from rolling out the edge of the rail on both ends.

Close the door to the desired position insert and secure the door stopper by tightening the screw.

Open the door to the desired position and repeat with the door stopper.



NOTE Anti-jump bumpers must be installed to prevent door from derailing.

Fasten the anti-jump bumpers with the supplied allen key.

DO NOT RETURN TO RETAILER

If you have any questions, please contact our customer service at:
info@colonialegance.com or call toll free at: 1-800-361-2030

VISIT OUR WEB SITE

www.colonialegance.com

***1 year limited warranty**